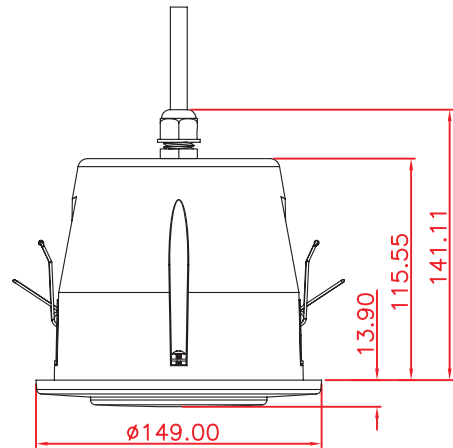
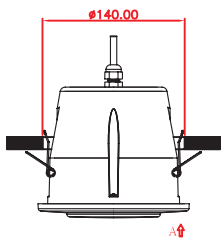


WATERPROOF CEILING SPEAKER

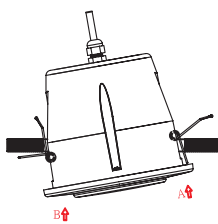
(Suitable for Hamman and Sauna Locations)



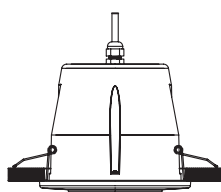
INSTALLATION GUIDE



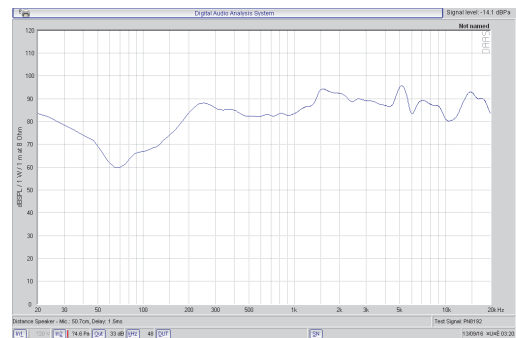
Step 1. Draw a $\phi 140$ mm circle on the ceiling, then place the springs on two sides of speaker into the hole.



Step 2. Push up at A to fix the part of speaker on the ceiling.



Step 3. Push up at B to complete the installation.



SPECIFICATIONS

| | |
|---------------------------|---|
| Model No. | CWP-400 |
| Rated Power (rms) | 6W |
| Speaker | 4" Full Range |
| Power Rating(100V) | 6W-3W-1.5W |
| Impedance | 1667 Ω - 3333 Ω - 6667 Ω |
| S.P.L.(at 1W/1M) | 88dB |
| Maximum Acoustic Pressure | 94dB |
| Frequency Response(-10dB) | 200 Hz ~ 20KHz |
| Dispersion 1KHz / 4KHz | 120 / 90° |
| Ambient Temperature | -25°C ~ 90°C |
| IP Rating | IP66 |
| Dimension | 149mm(Dia.)*141.11mm(H) |
| Cut-Out Diameter | 140mm(Dia.) |
| Material | ABS Plastic |
| Colour | White |
| Weight | 0.85Kg |
| Mounting | Spring-clip |